



L.K Machinery Corp.

力盡淬鍊 勁是完美

VM series



L.K. Machinery Corp. (TAIWAN)

No.30, Keyuan Rd., Xitun Dist., Taichung City 40763, Taiwan (R.O.C.)

TEL: (+886) 4 2461 9797 FAX: (+886) 4 2461 1555

E-mail: lktw_sales@lkmachinery.com.tw

CE ISO 9001
ISO 14001

VM201812(E)

VM Series 3 Axes Specification

Travel

VM1

X/Y/Z axis 600/500/520 mm

VM2

X/Y/Z axis 800/500/520 mm

VM3

X/Y/Z axis 1000/500/520 mm

VM4

X/Y/Z axis 1100/600/600 mm

VM5

X/Y/Z axis 1250/700/600 mm

VM6

X/Y/Z axis 1350/700/600 mm

Rapid Travel (X/Y/Z)

VM1

36/36/24m/min

VM2

36/36/24m/min

VM3

36/36/24m/min

VM4

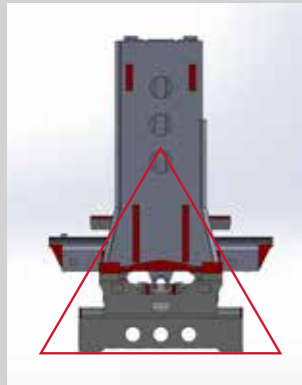
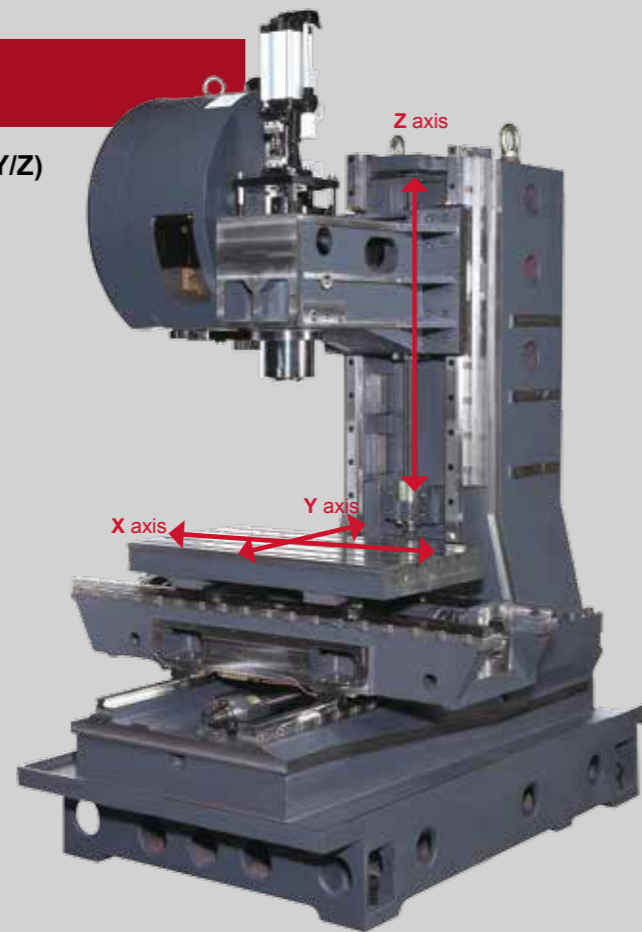
36/36/24m/min

VM5

36/36/24m/min

VM6

36/36/24m/min



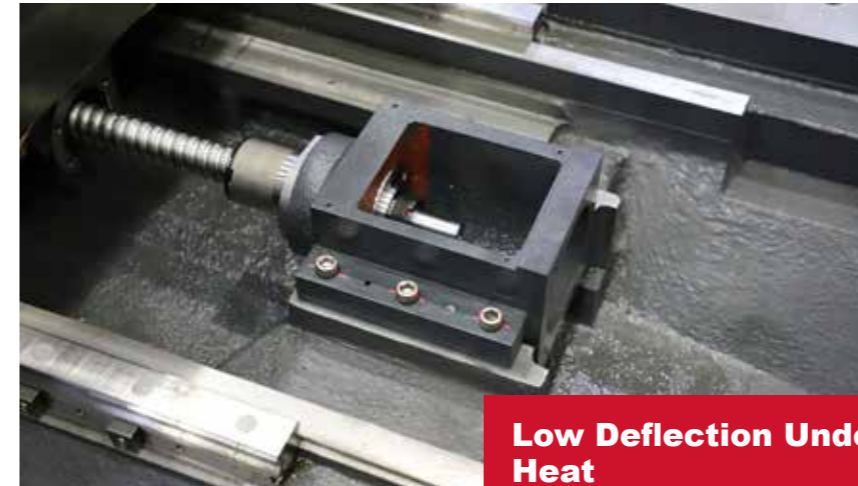
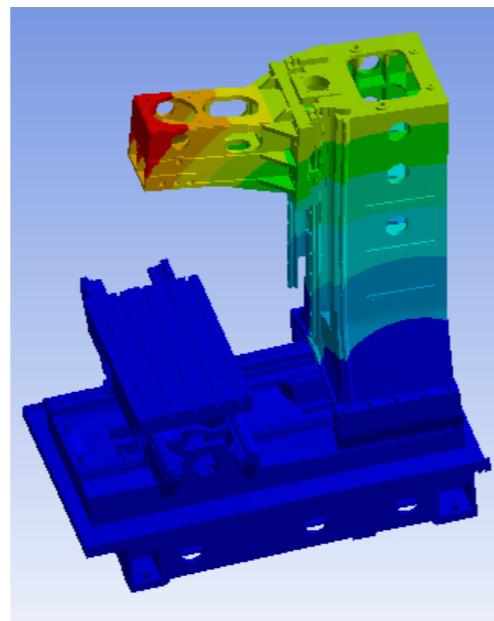
Stable Structure

Delta structure with large column structure and smooth basic flow design, it stable cutting force and high conductivity to provide user a stable processing accuracy.

L.K. vertical machining center machine can provide the features and performance you need, this will be your best investment. Each machine has its own strengths as the following features can help you become a leader in the processed products industry.

High Rigid Frame design with stable base

Wide base column casting, optimized design and analysis with ANSYS 16.0, high rigid analysis software. The structural load to achieve the best performance status. This castings provide a robust, smooth machinery platform that effectively prevents deformation and disperses cutting forces.



Low Deflection Under Heat

3 axis screws with high rigidity THK series product, effectively reduce the impact of thermal expansion effect and maintain a stable processing accuracy.



Tool Control

L.K machinery provide large scale or low volume automatic tool changer for large quantity of high speed and smooth tool changer to minimize the loop time of processing requirements. We choose to use Japan's Sankyo cam box(ATC) for BT40 as a standard tool, to ensure it goes smooth and rapid. Simultaneously it can enlarge the validity period and maintenance services.



Servo Motor Transmission

High Standard of design used with servo motor, ball screws and coupling tools, definitely will be satisfied with high accuracy, fine feed and low deviation needs.



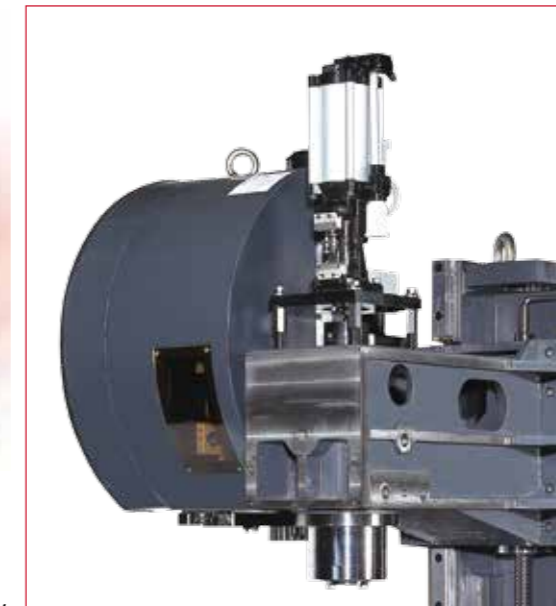
High Speed Transmission System

Combination of high quality ball screws and linear guide, perfect show high rigidity, low friction and low noise on rapid travel.



Coolant Through Spindle (OPT)

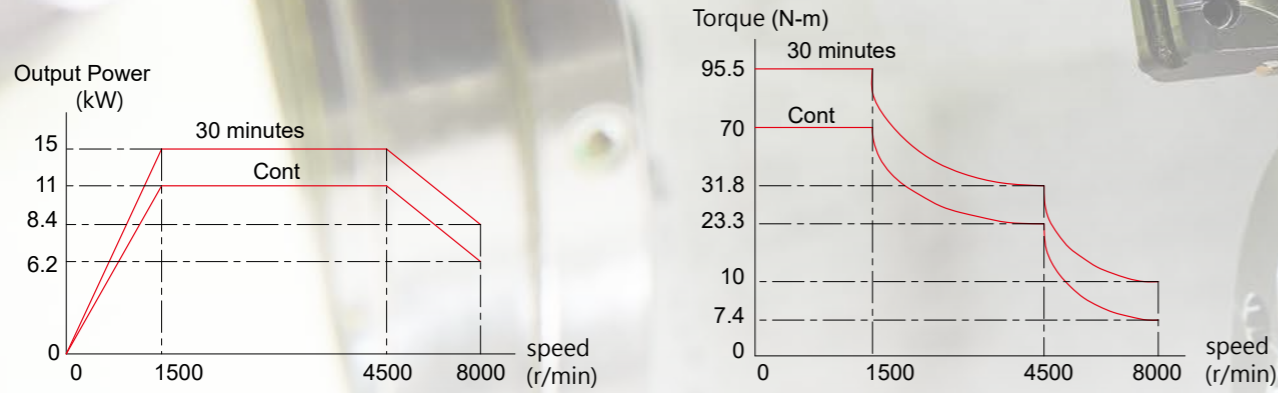
This features design for enhance efficiency on machinery especially for drilling parts and extend the term of usage.



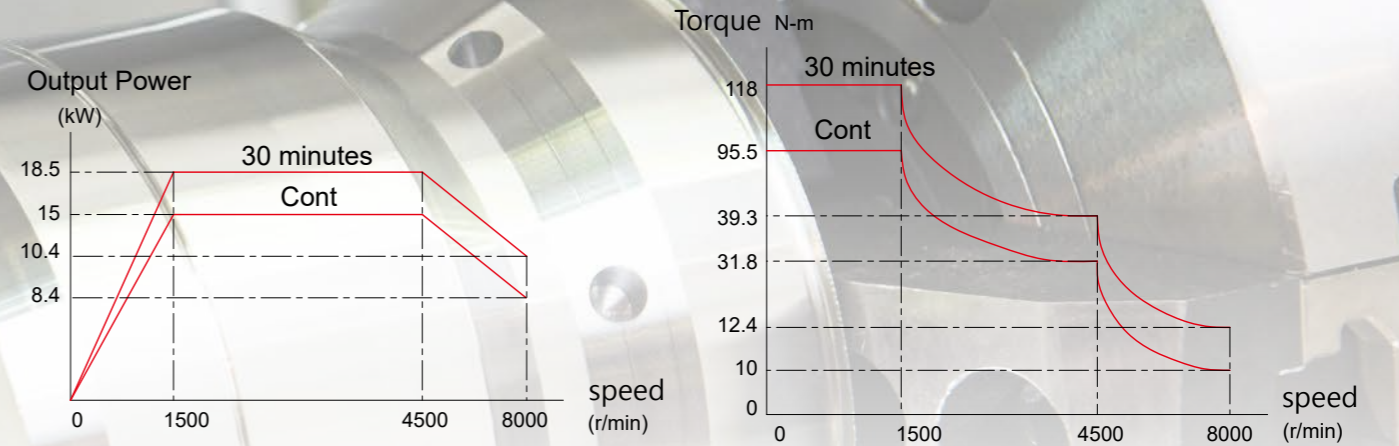
High Performance Spindle

This advance spindle design used with NSK7014 bearings. It provide maximum axial thrust with minimum the heat. The front and back bores of the spindle are completely in the same process. Through the sophisticated labyrinth design, this spindle definitely can play a high standard in the process.

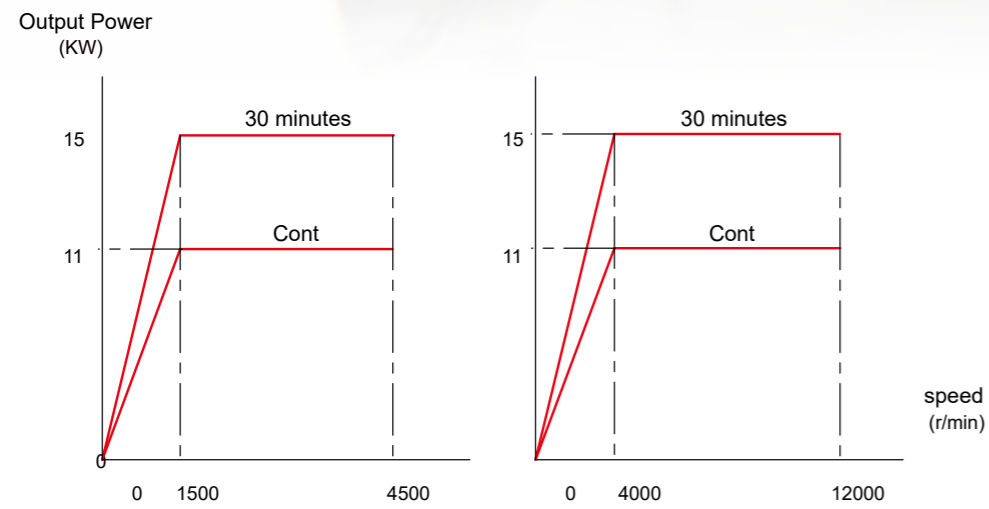
**Mitsubishi Motor Power Chart/
Spindle Torque Chart
SJ-V15-01ZT**



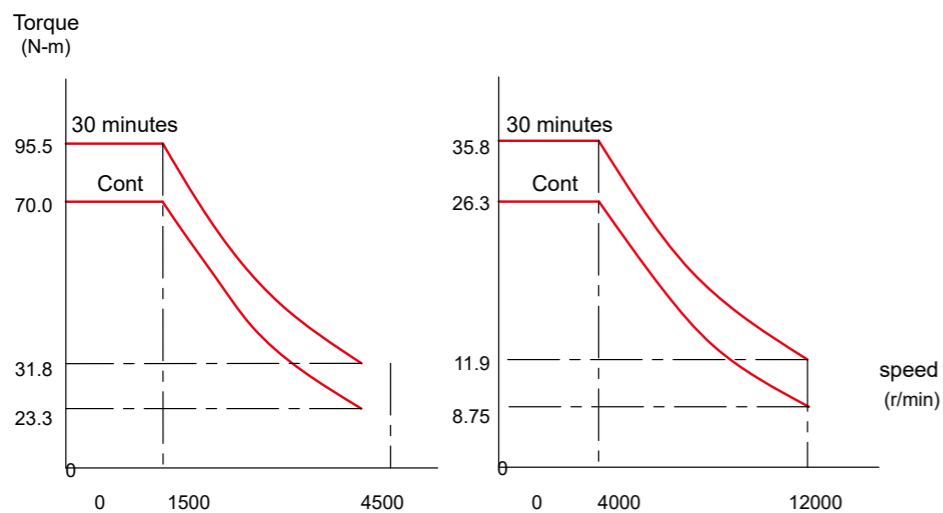
SJ-V18.5-01ZT



SJ-VK15-28FZT

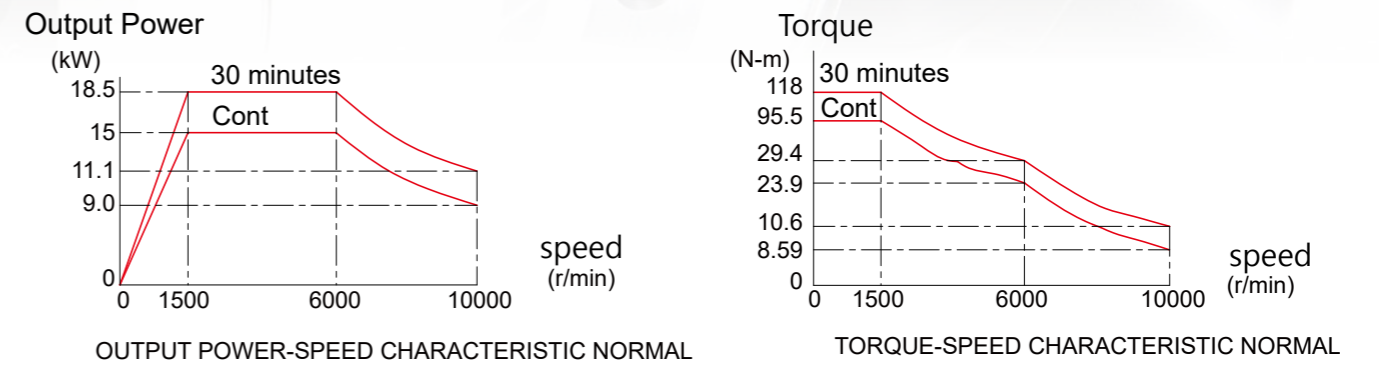


OUTPUT POWER - SPEED CHARACTERISTIC NORMAL



TORQUE - SPEED CHARACTERISTIC NORMAL

SJ-V18.5-04ZT



OUTPUT POWER-SPEED CHARACTERISTIC NORMAL

TORQUE-SPEED CHARACTERISTIC NORMAL



Loyalty on ISO, from design, manufacture, quality control to service, we uphold with an attitude of provide perfect quality.

Friendly design concept. L.K. Machinery VM series products always consider the needs of customer, we choose to use Mitsubishi M80 series controller which is 15" screen, not only tally in ergonomics but also care of operator eyes vision and reduce operational errors.

Specification Mitsubishi M80 series controller

Model	Unit	VM-1	VM-2	VM-3	VM-4	VM-5	VM-6
CNC Control System	-	Mitsubishi M80	Mitsubishi M80	Mitsubishi M80	Mitsubishi M80	Mitsubishi M80	Mitsubishi M80
3 axis Travel							
X axis Travel	mm	600	800	1000	1100	1250	1350
Y axis Travel	mm	500	500	500	600	700	700
Z axis Travel	mm	520	520	520	600	600	600
Distance from Spindle Center to Table	mm	100~620	100~620	100~620	120~720	120~720	120~720
Spindle							
Spindle Speed	rpm	Belt 8,000	Belt 8,000	Belt 8,000	Belt 8,000	Belt 8,000	Belt 8,000
Spindle Nose	BT	#40	#40	#40	#40	#40	#40
Spindle Motor (Cont./30min)	kw	11/15	11/15	11/15	11/15	11/15	11/15
Table							
Table Size	mm	700x500	900x500	1120x500	1100x560	1350x600	1350x600
T Slot (Width x No. x Pitch)	mm	18x5x100	18x5x100	18x5x100	18x5x100	18x5x100	18x5x100
Max. Table Capacity	kg	1,000	1,000	1,000	1,000	1,200	1,200
Rapid Travel							
Rapid Travel(X/Y/Z)	m/min	36/36/24	36/36/24	36/36/24	36/36/24	36/36/24	36/36/24
Cutting Speed Rate	m/min	1-20	1-20	1-20	1-20	1-20	1-20
X/Y/Z Feed Motor	kw	2/2/3	2/2/3	2/2/3	3.5/3.5/3.5	3.5/3.5/3.5	3.5/3.5/3.5
Tool Magazine							
Tool Change Type	-	Arm	Arm	Arm	Arm	Arm	Arm
Tool Capacity	set	24	24	24	24	24	24
Max. Tool Weight	kg	7	7	7	7	7	7
Max. Tool Length Distance	mm	300	300	300	300	300	300
Max. Tool Diameter	mm	75/150	75/150	75/150	75/150	75/150	75/150
Tool Change Time(T-T)	sec	2.3	2.3	2.3	2.5	2.5	2.5
Tool Change Time(C-C)	sec	3.5	3.5	3.5	4.8	4.8	4.8
Others							
Compress Air Supply	kg/cm ²	5~7	5~7	5~7	5~7	5~7	5~7
Machine Size (LxWxH)	mm	3578x3494x2549	3828x3494x2549	4248x2977x2549	4700x3610x3060	5000x3610x3060	5000x3610x3060
Net Weight	kg	5,100	5,300	5,500	6,600	7,600	7,800

► Standard Equipment

- Mitsubishi M80 / 15" LCD Screen
- Belt 8,000rpm
- BT-40
- Arm Type 24 tools
- Spindle Air Curtain
- Automatic Lubrication System
- Side Flush System
- Ball Bearing Linear Guide Ways(VM-1/2/3)
- Rollers Linear Ways(VM-4/5/6)
- Rear Chip Auger

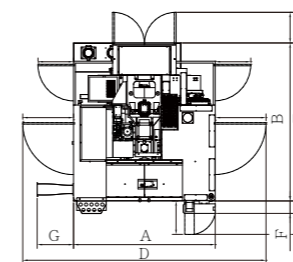
► Optional Equipment

- Siemens 828D
- Fanuc Oi-MF
- Belt 7,000rpm(VM-4/5/6)
- Belt 10,000rpm
- DDS 10,000rpm
- DDS 12,000rpm
- DDS 15,000rpm
- Spindle Motor 15/18.5kw
- Arm Type 30 tools
- Rapid Travel 48/48/36m/min
- Spindle Oil Cooler
- Chip Conveyor
- Tool Holder
- Tool Storage

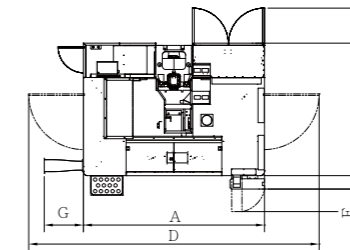
Cutting Capability

Controller	M80 Series	
Spindle Power	8000 rpm	
Spindle Motor(30min/Cont)	11 / 15 kw	
Spindle Type	Belt	
Axis Travel(X/Y/Z)	36 / 36 / 24	
Max speed of rigid tapping	4000 rpm	
Max Drilling (mm/rev)	S45C	ADC
	∅50x0.1	∅50x0.34
Max Tapping (mm)	S45C	ADC
	M24x3.0P	M30x3.5P
Efficiency of rigid tapping (sec/hole)	ADC	
	2.9	
Face milling cutting removal rate	S45C	ADC
	375 C.C.	1440 C.C.
Cutting Parameter (cutting width x cutting depth x feed-rate)	50x5x1500	60x4x6000

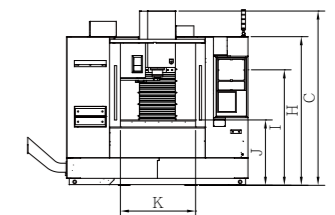
VM Machine Size / Exterior Size



VM1/2



VM3/4/5/6



Model	Unit	A	B	C	D	E	F	G	H	I	J	K
VM-1	mm	1950	2680	2549	3548	3494	196	572	2174	1600	956	700
VM-2		2230			3828							900
VM-3		2650	2230	4248	3085	1100						
VM-4		2904	2579	3056.4	4700	3610	223	260	2200		1225	
VM-5		3204			5000						1375	
VM-6												